

توجه فرمایید!

اطلاعات مندرج در صفحات بعدی متعلق به محصولات شرکت برماس ایتالیا پس از تغییرات ستادی در سال ۲۰۱۳ است.

هرچند تغییر چندانی در محصولات نشده است، اطلاعات فنی ممکن است تغییرات کوچکی داشته باشند.

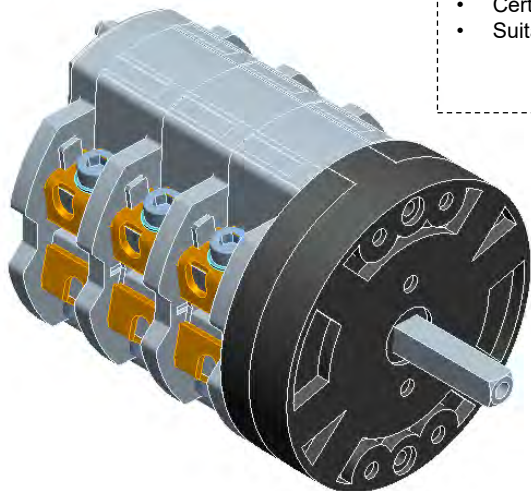
دسترسی به فایل‌های اطلاعات فنی پیش از سال ۲۰۱۳ محصولات شرکت برماس میسر نبود.



**Cod. CA1000003PL4**

**Standard and Approvals**

- Switch according to IEC/EN 60947-3
- Certified UL60947-4-1A and CAN/CSA C22.2 No. 60947-4-1-07
- Suitable as Manual Motor Controller



(purely indicative picture)



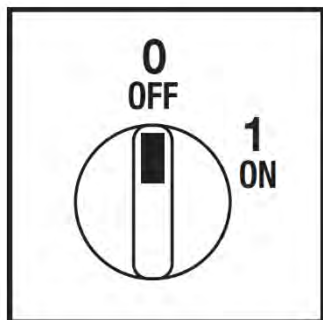
**Technical characteristics**

- ON-OFF switch 3 pole
- IP00 Protection degree
- Rated operational current Ie: 115A (AC-21A)
- Rated thermal current Ith: 115A
- Rated insulation voltage Ui: 690V
- Panel mounting
- Switching angle: 60°
- Self-extinguishing thermosetting/thermoplastic class V2 housing
- Assembled with metal shaft and threaded stud bolts to ensure maximum operating reliability
- Positive opening double break contacts, made of silver and alloy

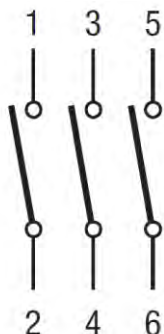
**Technical characteristics: Plate and knob**

- Transparent plate 130x130mm and black knob
- IP40 Protection degree
- Fixing with 4 screws at 30x90mm

**Positions**



**Electrical diagram**



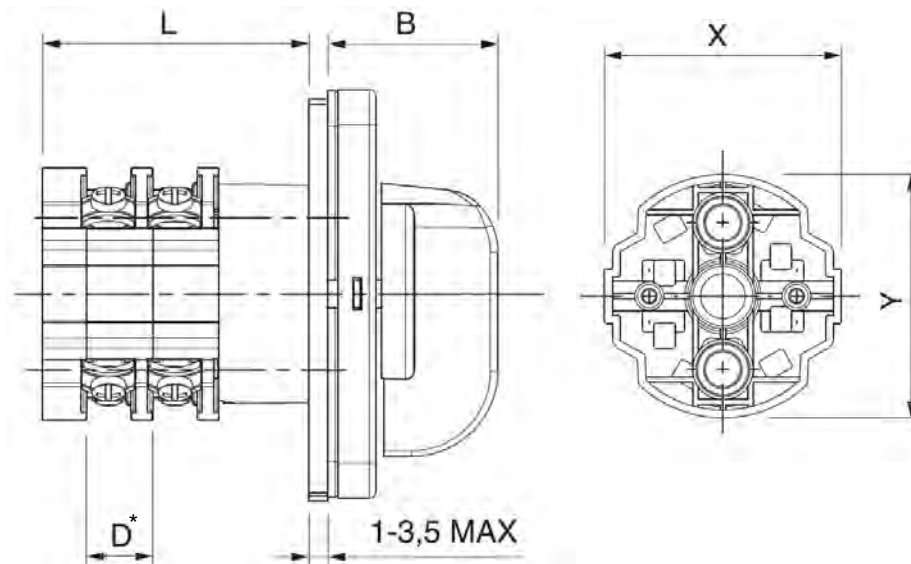
**Electrical function**

	<b>0</b>							CR	60°
	<b>1</b>	X	X	X				CA	
Contact		1	2	3	4	5	6	7	
Element		<b>1</b>			<b>2</b>			Angle	

**Cod. CA1000003PL4**

Measures in mm (in)

**Dimensions**

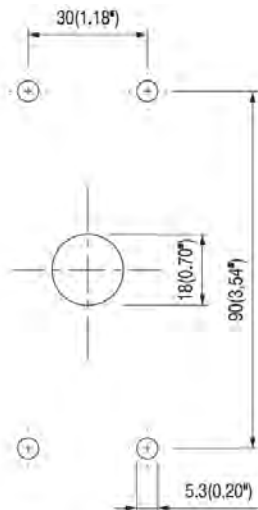


Handle	B
PL3	44 (1,73")
PL4	62 (2,44")
PL5	63 (2,48")
PL9	73 (2,87")
3N3-3L3	44 (1,73")
RL6-RK6	39 (1,54")

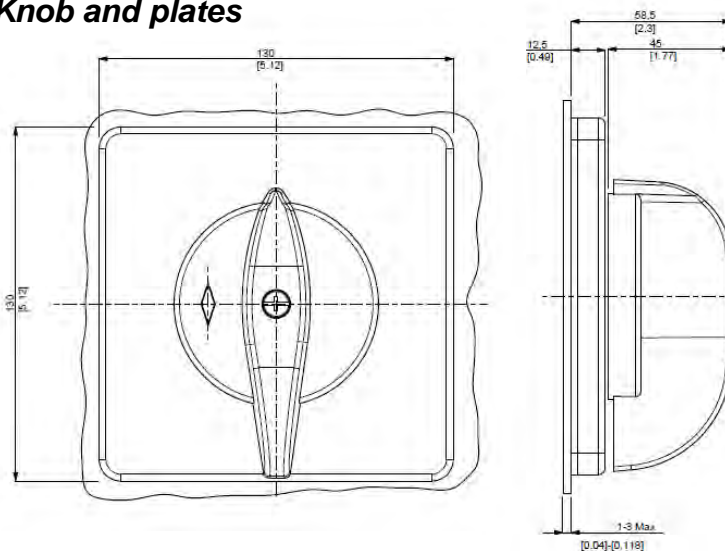
X	Y	D	L	no. of stages					
				1	2	3	4	5	6
-	∅ 110	30		80,8	110,8	140,8	170,8	200,8	230,8
-	∅ (4,33")	(1,18")		(3,18")	(4,36")	(5,54")	(6,72")	(7,91")	(9,09")

\* D – size of the single element

**Drilling template**



**Knob and plates**



### Cod. CA1000003PL4

<b>Technical data IEC 947-3 EN 60947-3</b>			
Rated insulation voltage	Ui	V	690
Rated operating voltage	Ue	V	690
Rated impulse withstand voltage	Uimp	kV	6
Rated thermal current for open switch	Ith	A	115
Rated thermal current for enclosed switch	Ithe	A	100
Rated operation frequency		Hz	50/60
Power dissipation for each pole		W	4,7
<b>Rated operating current</b>			
AC-21A Switching resistive loads, including moderate overloads	Ie	A	115/110 <sup>5</sup>
AC-22A Switching of mixed resistive and inductive loads, including moderate overloads	Ie	A	110
AC-20A Connecting and disconnecting under no loads conditions			-
<b>Rated operating power</b>			
AC-23A Switching of motor loads or other highly inductive loads 3 phase - 3 pole	230V	Kw (A)	30 (95)
	400V	Kw (A)	45 ( 85)
	500V	Kw (A)	30 (40)
	690V	Kw (A)	-
AC-23A Switching of motor loads or other highly inductive loads 1 phase - 2 pole	110V	Kw (A)	9 (102)
	230V	Kw (A)	15 (82)
AC-3 Squirrel cage motors: starting, swtiching off motors during running 3 phase - 3 pole	230V	Kw (A)	22 (70)
	400V	Kw (A)	37 (67)
	500V	Kw (A)	30 (40)
	690V	Kw (A)	-
AC-3 Squirrel cage motors: starting, swtiching off motors during running 1 phase - 2 pole	110V	Kw (A)	7,5 (85)
	230V	Kw (A)	11 (60)
	400V	Kw (A)	-
AC-4 Squirrel cage motors: starting, pluggign, inching	230V	Kw (A)	7,5 (85)
	400V	Kw (A)	11 (20)
AC-15 Control of a.c electromagnetic loads	230V	A	-
	400V	A	-
Rated breaking capability in AC-23A (cos φ=0,45)	230V	A	760
	400V	A	680
<b>Short circuit protection</b>			
Rated short time withstand current	Icw	A	1500
Rated short-circuit make capacity	Icm	A	3000
Rated conditional short-circuit current	-	kA	15
With fuses class gG	500V	A	125
<b>Technical data UL/CSA</b>			
Rated operating voltage	Ue	UL/CSA V	600/600
General use current	Ie	UL/CSA A	125/100
Short circuit rating @600Vac		Arms	-
Fuse size (Class RK5, 600Vac, 200kA A.I.C.)		A	-
<b>Rated operating power</b>			
1 phase - 2 pole	120V	Hp (A)	10 (100)/5
	240V	Hp (A)	15 (68)/12
3 phase - 3 pole	200V	Hp (A)	20 (62,1)/-
	240V	Hp (A)	25 (68)/24
	480V	Hp (A)	40(52)/50
	600V	Hp (A)	50(52)/65
<b>Mechanical characteristics</b>			
Mechanical life		Cycles x 10 <sup>6</sup>	0,3
		Cycles/hr	120
<b>Connection according to IEC 9471-1 and EN 50947-1 (Power contacts)</b>			
Connecting capability	With flexible wires	Min-Max	mm <sup>2</sup>
		Min-Max	AWG
	With solid wires	Min-Max	mm <sup>2</sup>
Connection terminal screw dimensions		Type	M8
Screw tightening torque		Nm	2,8
<b>Protection degree IEC 529 EN 60529</b>			
Terminals		IP	00
<b>Ambient conditions</b>			
Operating ambient temperature		°C	-25 ÷ +55
Storage ambient temperature		°C	-30 ÷ +70
Withstand to constant humid according to IEC 60068			2-78
Withstand to cyclic humid according to IEC 60068			2-30

Notes:  
<sup>5</sup> = at 500V