

توجه فرمایید!

اطلاعات مندرج در صفحات بعدی متعلق به محصولات شرکت برماس ایتالیا پس از تغییرات ستادی در سال ۲۰۱۳ است.

هرچند تغییر چندانی در محصولات نشده است، اطلاعات فنی ممکن است تغییرات کوچکی داشته باشند.

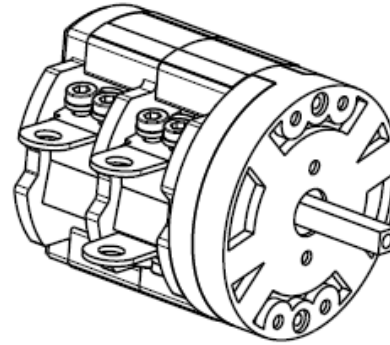
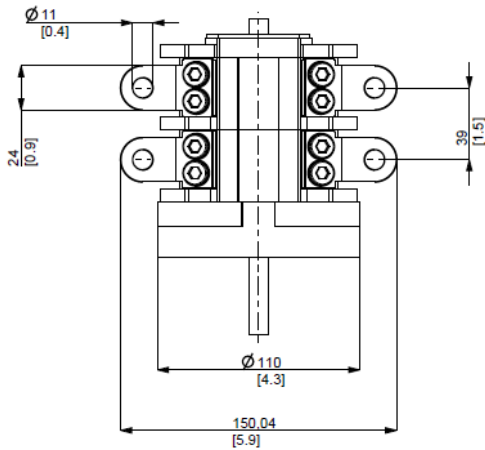
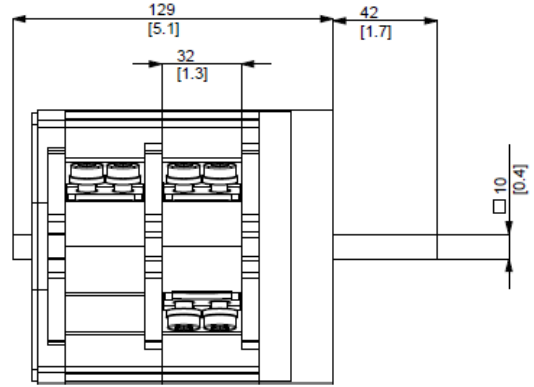
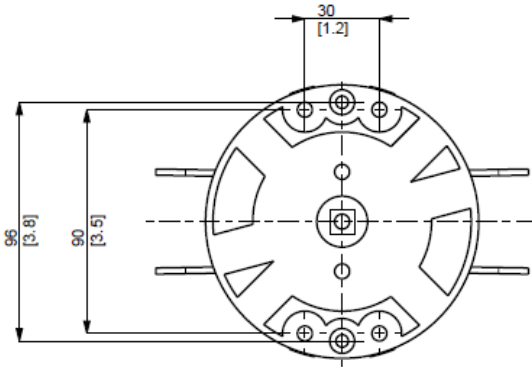
دسترسی به فایل‌های اطلاعات فنی پیش از سال ۲۰۱۳ محصولات شرکت برماس میسر نبود.



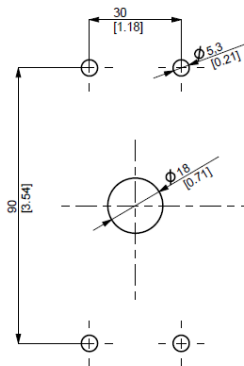
Cod. CA2000003PL4

measures in mm (in)

Dimensions

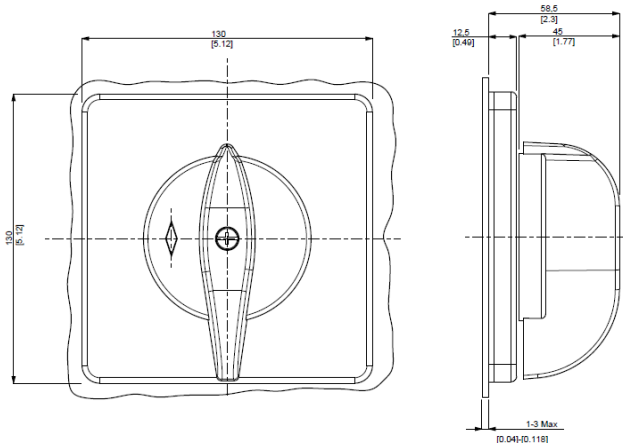


Drilling template



FISSAGGIO ANTERIORE
FRONT MOUNTING

Plate & Knob



Cod. CA2000003PL4

| Technical data IEC 947-3 EN 60947-3 | | | | |
|---|---------------------|--------------------------|-----------------|--------------------|
| Rated insulation voltage | Ui | V | | 690 |
| Rated operating voltage | Ue | V | | 690 |
| Rated impulse withstand voltage | Uimp | kV | | 6 |
| Rated thermal current for open switch | Ith | A | | 200 |
| Rated thermal current for enclosed switch | Ithe | A | | 160 |
| Rated operation frequency | | Hz | | 50/60 |
| Power dissipation for each pole | | W | | 7 |
| Rated operating current | | | | |
| AC-21A Switching resistive loads, including moderate overloads | le | A | | 160 ⁵ |
| AC-22A Switching of mixed resistive and inductive loads, including moderate overloads | le | A | | 160 |
| AC-20A Connecting and disconnecting under no loads conditions | | | | - |
| Rated operating power | | | | |
| AC-23A Switching of motor loads or other highly inductive loads 3 phase - 3 pole | 230V | Kw (A) | | 40 (125) |
| | 400V | Kw (A) | | 59 (106) |
| | 500V | Kw (A) | | 75 (108) |
| | 690V | Kw (A) | | - |
| AC-23A Switching of motor loads or other highly inductive loads 1 phase - 2 pole | 110V | Kw (A) | | 11 (125) |
| | 230V | Kw (A) | | 22 (120) |
| AC-3 Squirrel cage motors: starting, switching off motors during running 3 phase - 3 pole | 230V | Kw (A) | | 30 (95) |
| | 400V | Kw (A) | | 45 (82) |
| | 500V | Kw (A) | | 59 (85) |
| | 690V | Kw (A) | | - |
| AC-3 Squirrel cage motors: starting, switching off motors during running 1 phase - 2 pole | 110V | Kw (A) | | 9 (102) |
| | 230V | Kw (A) | | 15 (82) |
| | 400V | Kw (A) | | - |
| AC-4 Squirrel cage motors: starting, pluggign, inching | 230V | Kw (A) | | - |
| | 400V | Kw (A) | | - |
| AC-15 Control of a.c electromagnetic loads | 230V | A | | - |
| | 400V | A | | - |
| Rated breaking capability in AC-23A (cos φ=0,45) | 230V | A | | 1000 |
| | 400V | A | | 848 |
| Short circuit protection | | | | |
| Rated short time withstand current | Icw | A | | 2000 |
| Rated short-circuit make capacity | Icm | A | | 3000 |
| Rated conditional short-circuit current | | kA | | 15 |
| With fuses class gG | 500V | A | | 200 |
| Technical data UL/CSA | | | | |
| Rated operating voltage | Ue | UL/CSA V | | 600/- |
| General use current | le | UL/CSA A | | 240/- |
| Short circuit rating @600Vac | | Arms | | - |
| Fuse size (Class RK5, 600Vac, 200kA A.I.C.) | | A | | - |
| Rated operating power | | | | |
| 1 phase - 2 pole | 120V | Hp (A) | | - |
| | 240V | Hp (A) | | - |
| 3 phase - 3 pole | 200V | Hp (A) | | - |
| | 240V | Hp (A) | | - |
| | 480V | Hp (A) | | - |
| | 600V | Hp (A) | | - |
| Mechanical characteristics | | | | |
| Mechanical life | | Cycles x 10 ⁶ | | 0,1 |
| | | Cycles/hr | | 120 |
| Connection according to IEC 9471-1 and EN 50947-1 | | | | |
| Connecting capability | With flexible wires | Min-Max | mm ² | 50-70 ¹ |
| | | Min-Max | AWG | 1/0-2/0 |
| | With solid wires | Min-Max | mm ² | 16-35 |
| Connection terminal screw dimensions | | Type | | M10 |
| Screw tightening torque | | Nm | | 23 |
| Protection degree IEC 529 EN 60529 | | | | |
| Terminals | | IP | | 00 |
| Ambient conditions | | | | |
| Operating ambient temperature | | °C | | -25 ÷ +55 |
| Storage ambient temprature | | °C | | -30 ÷ +70 |
| Withstand to constant humid according to IEC 60068 | | | | 2-78 |
| Withstand to cyclic humid according to IEC 60068 | | | | 2-30 |

Note:

¹ = M10 bolt clamps with Nut

⁵ = a 500V