

توجه فرمایید!

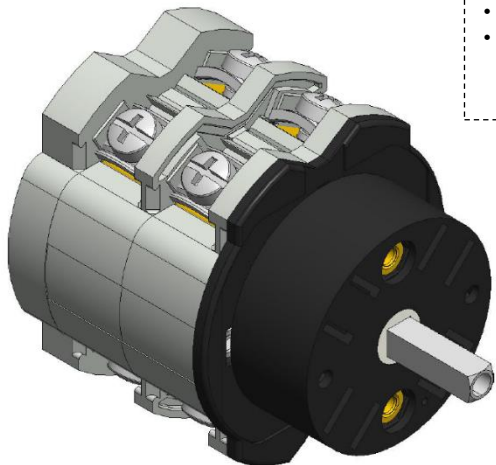
اطلاعات مندرج در صفحات بعدی متعلق به محصولات شرکت برماس ایتالیا پس از تغییرات ستادی در سال ۲۰۱۳ است.

هرچند تغییر چندانی در محصولات نشده است، اطلاعات فنی ممکن است تغییرات کوچکی داشته باشند.

دسترسی به فایل‌های اطلاعات فنی پیش از سال ۲۰۱۳ محصولات شرکت برماس میسر نبود.



Cod. CA0400003PL2



(Image is purely indicative)



Standard and Approvals

- Switch according to IEC/EN 60947-3
- Certified UL60947-4-1A and CAN/CSA C22.2 No. 60947-4-1-07
- Suitable as Manual Motor Controller



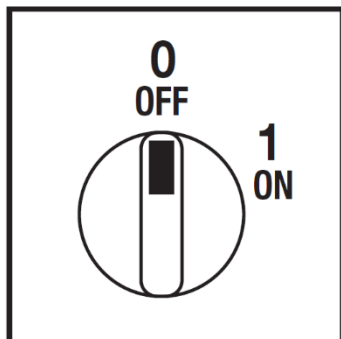
Technical characteristics: Body

- ON-OFF switch 3 pole
- IP00 Protection degree
- Rated operational current Ie: 40A (AC-21A)
- Rated thermal current Ith: 50A
- Rated insulation voltage Ui: 690V
- Rear mounting
- Fixing with 2 screw at 28mm vertical
- Switching angle: 60°
- Class V2 self-extinguishing thermoplastic housing
- Assembled with metal shaft and threaded stud bolts to ensure maximum operating reliability
- Positive opening double break contacts, silver alloy made.

Technical characteristics: Knob

- Transparent plate 75,5x75,5mm and black knob
- Fixing with 2 screws at 28mm vertical
- IP 40 Protection degree

Positions



Electrical diagram



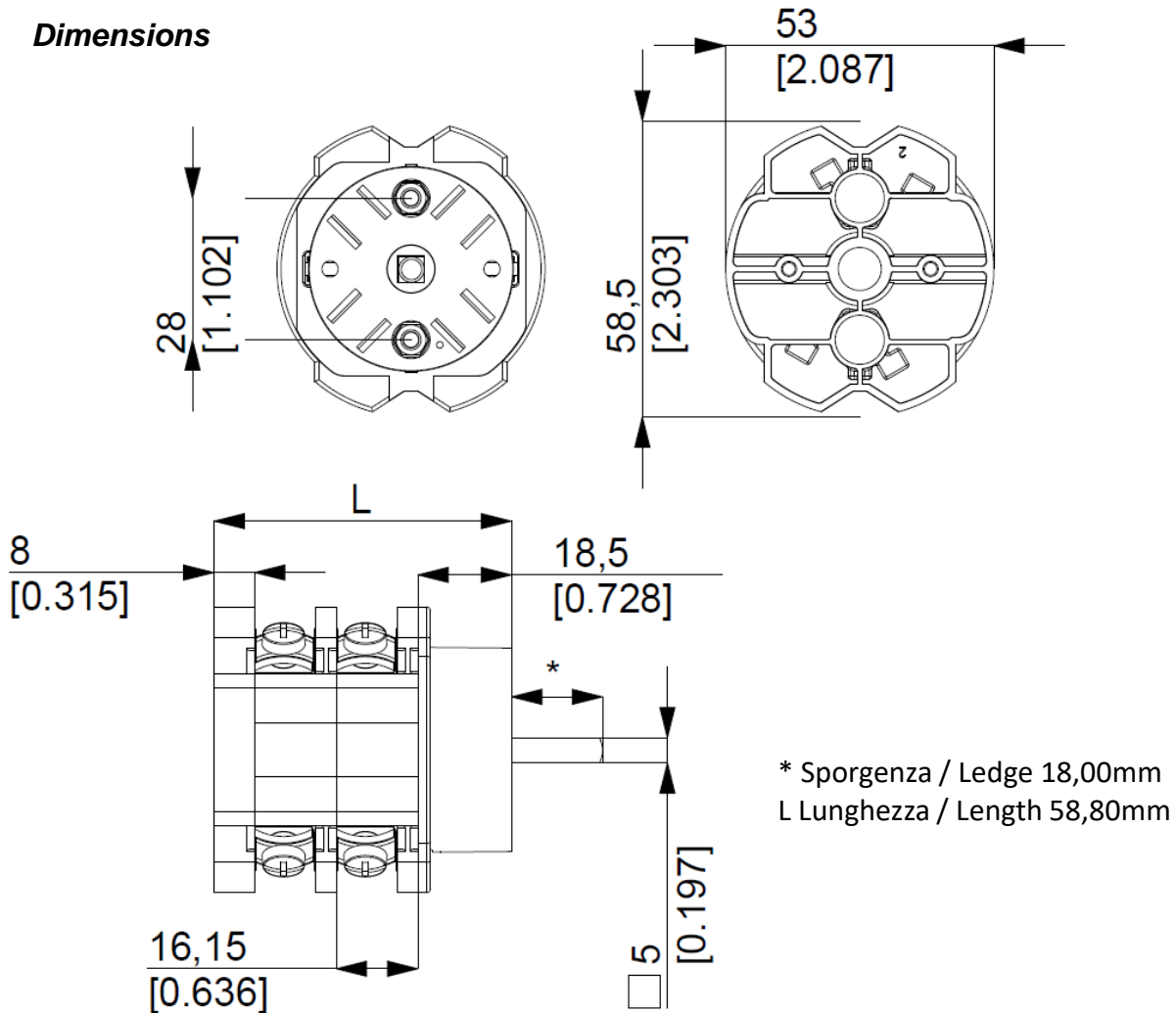
Electrical function

	0							CR	60°
	1	X	X	X				CA	
Contact		1	2	3	4	5	6	7	8
Element		1			2			Angle	

Cod. CA0400003PL2

measures in mm (in)

Dimensions



Drilling templates

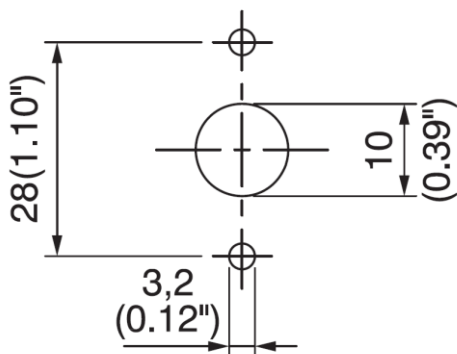
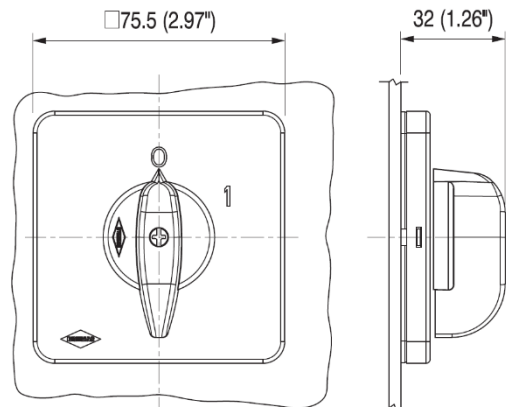


Plate & Knob



Cod. CA0400003PL2

Technical data IEC 947-3 EN 60947-3				
Rated insulation voltage	Ui	V	690	
Rated operating voltage	Ue	V	690	
Rated impulse withstand voltage	Uimp	kV	6	
Rated thermal current for open switch	Ith	A	50	
Rated thermal current for enclosed switch	Ithe	A	50	
Rated operation frequency		Hz	50/60	
Power dissipation for each pole		W	1,3	
Rated operating current				
AC-21A Switching resistive loads, including moderate overloads	Ie	A	40	
AC-22A Switching of mixed resistive and inductive loads, including moderate overloads	Ie	A	32	
AC-20A Connecting and disconnecting under no loads conditions			-	
Rated operating power				
AC-23A Switching of motor loads or other highly inductive loads 3 phase - 3 pole	230V	Kw (A)	10 (32)	
	400V	Kw (A)	18,5 (30)	
	500V	Kw (A)	18,5 (27)	
	690V	Kw (A)	18,5 (19)	
AC-23A Switching of motor loads or other highly inductive loads 1 phase - 2 pole	110V	Kw (A)	3 (34)	
	230V	Kw (A)	5,5 (30)	
AC-3 Squirrel cage motors: starting, swtiching off motors during running 3 phase - 3 pole	230V	Kw (A)	7,5 (24)	
	400V	Kw (A)	15 (27)	
	500V	Kw (A)	15 (22)	
	690V	Kw (A)	16 (16)	
AC-3 Squirrel cage motors: starting, swtiching off motors during running 1 phase - 2 pole	110V	Kw (A)	2,2 (25)	
	230V	Kw (A)	4,5 (25)	
	400V	Kw (A)	-	
AC-4 Squirrel cage motors: starting, pluggin, inching	230V	Kw (A)	3 (10)	
	400V	Kw (A)	5,5 (10)	
AC-15 Control of a.c electromagnetic loads	230V	A	10	
	400V	A	8	
Rated breaking capability in AC-23A (cos φ=0,45)	230V	A	256	
	400V	A	240	
Short circuit protection				
Rated short time withstand current	Icw	A	500	
Rated short-circuit make capacity	Icm	A	2000	
Rated conditional short-circuit current	-	kA	10	
With fuses class gG	500V	A	50	
Technical data UL/CSA				
Rated operating voltage	Ue	UL/CSA V	600/600	
General use current	Ie	UL/CSA A	40/32	
Short circuit rating @600Vac		Arms	5000	
Fuse size (Class RK5, 600Vac, 200kA A.I.C.)		A	60	
Rated operating power				
1 phase - 2 pole	120V	Hp (A)	3 (34)/2,5	
	240V	Hp (A)	7,5 (40)/4,5	
3 phase - 3 pole	200V	Hp (A)	10 (32,2)/-	
	240V	Hp (A)	15 (42)/9,5	
	480V	Hp (A)	20 (27)/20	
	600V	Hp (A)	20 (22)/25	
Mechanical characteristics				
Panel tickness	Max	mm	4	
Mechanical life		Cycles x 10 ⁶	1,5	
		Cycles/hr	120	
Connection according to IEC 9471-1 and EN 50947-1				
Connecting capability	With flexible wires	Min-Max	mm ²	2x2,5-10
		Min-Max	AWG	14-8
Connection terminal screw dimensions	With solid wires	Min-Max	mm ²	2x2,5-16
			Type	M4
Screw tightening torque		Nm	1,2	
Protection degree IEC 529 EN 60529				
Terminals		IP	00	
Ambient conditions				
Operating ambient temperature		°C	-25 ÷ +55	
Storage ambient temprature		°C	-30 ÷ +70	
Withstand to constant humid according to IEC 60068			2-78	
Withstand to cyclic humid according to IEC 60068			2-30	