

## Wall mounted inlet

Part no. 368



- screw terminals

## Technical specifications

Ampere	125 A
Poles	5 p
Voltage	400 V
Clock position	6 h
Hertz	50-60 Hz
Connection technology	Screw terminals
Contact	standard
Protection type	IP 67
Weight	2179 g
Declaration of Conformity	CN,CQC

## Drawing



Drawing	Amp.	63			125	
		Poles			4	5
<b>2 MB 36</b>		3	4	5	4	5
Dim. in mm						
a	170	170	170	264	264	
b	118	118	118	163	163	
c	171	171	171	205	205	
d	134.5	134.5	134.5	240	240	
e	103	103	103	140	140	
f	6,1	6,1	6,1	8,1	8,1	
g	6	6	6	8	8	
h	250	250	250	355	355	
M	40	40	40	50	50	
M*	2x40	2x40	2x40	50	50	
a	25°	25°	25°	20°	20°	
Max. cable diam. (mm)	27	27	27	38	38	
Terminal for cond. cross section (mm²) min.-max.	6	6	6	16	16	
	-16	-16	-16	-35	-35	

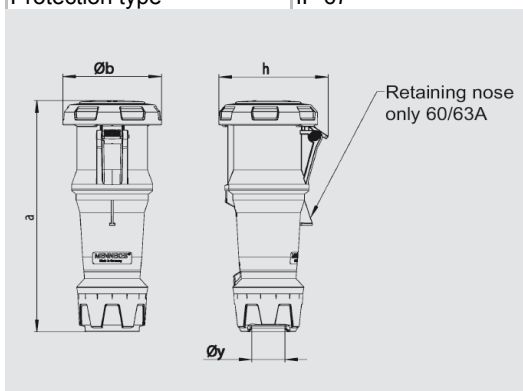
connector PowerTOP plus - Part no. 3480



- Screw terminals
- X-CONTACT
- cable gland with integrated strain relief and sealing
- housing with thread closing and push locking

Technical information

Ampere	125 A
Poles	5 P
Voltage	400 V
Earth position	6 h
Hertz	50/60 Hz
Connection technology	Screw terminals
Contact	X-CONTACT
Protection type	IP 67



Drawing 3 MB 70	Amp. Poles	63			125		
		3	4	5	3	4	5
Dim. in mm	a	270	270	270	310	310	310
	Ø b	109	109	109	121	121	121
	h	121	121	121	133	133	133
	Ø y [max]	36	36	36	49	49	49
	Terminal for cond. cross	6	6	6	25	25	25
	section (mm <sup>2</sup> ) min.-max.	-16	-16	-16	-50	-50	-50